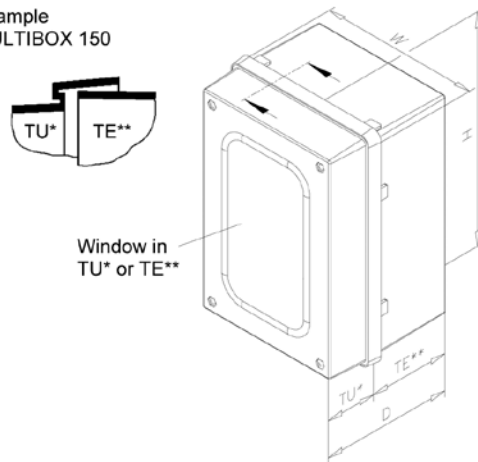


MULTIBOX Instrument Enclosures - summary of available versions

Hot-pressed glassfibre reinforced polyester material (GRP)
 Two-part construction: Instrument mounting is possible in either part, box can be positioned vertically or horizontally.
 Space-saving storage possible through stacking supports on corners
 Sample tested by German Lloyd
 Fire resistant and self-extinguishing
 4 mounting elements, stainless-steel (for fixing on mounting rails or plates etc.)
 Colour: light grey (RAL 7032), UV resistant
 Protection standard: IP 65 / Nema 4X EPDM gasket

Example
 MULTIBOX 150



Wall thickness = 3,5mm

* TU (female), as flat or deep part of the enclosure

** TE (male), as flat or deep part of the enclosure

Standard version

SV 4 stainless steel clasps, removable lid

Variations

SE 2 hinges, 2 clasp stainless-steel, may be mounted on long or short side

DF lid propstay, in galvanized steel, fitted

DFVA lid propstay, in stainless steel, fitted

DFGF lid propstay, gas compression spring (on request)

FA.. acrylglass window

FS.. safety glass window

ST.. hinged door made of GRP

STA.. hinged door of acrylic glass

arctic-PP insulation PU-foam/ PP lining internal surface insulated, not stackable

arctic-Alu insulation PU-foam/Aluminium foil (as GO version)

GO antistatic to avoid electrostatic charges according to EN IEC 60079-0

(Ex)p- preparation for pressurised acc. to EN 50016, PTB No. Ex-84/1118X

increased Protection class

IP 66/67 or IP 68 on request

Accessories

All necessary mounting accessories,; mounting bars, 2" pipe cuffs, etc. See relevant data-sheets. - 19" frames, fixed or hinged Heating: Ex., electrical, steam or hot water.-Assembly as instructed

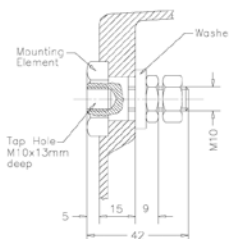
Mounting Directions

Insert the mounting elements (designed to allow for both external mounting of the enclosure and for installation of internal equipment) into the hexagon recesses in the enclosure part intended for instrument mounting, i.e. either in the male (TE) or female (TU) part of the enclosure.

These mounting elements provide an internal male extension (M10) to mount rails or mounting plates etc. and a female thread (M10) outside to mount the box.

If length of male extension M10 doesn't suffice turn mounting element -female thread inside- and fasten mounting accessories with a screw M10. Remaining recesses may be closed by supplied polypropylene plugs.

SE Version: The hinge bolts are supplied loose, so that the door can be hung left or right, top or bottom as circumstances require. A support for top-hinged door is available. (see illus. in type summary sheet)





Type	height H mm	widht W mm	depth D mm	female (TU) mm	male (TE) mm
25	485	385	240	look at Datasheet Kd121 - Kd128	
48			380		
60	640	440	250		
70			340		
100			430		
80	750	520	250		
150			430		
170			480		

SV	4 stainless steel clasps (standard)
SE	2 stainless steel clasps a. 2 stainl. st. Hinges
FA	Acrylglass window
FS	Safetyglass window
TU/TE	Window position in part male or female
ST	Extra Fibreglass reinforced polyester door (not for Type 25 and 48)
STA	Hinged door of acrylglass
arctic-PP	Polypropylene -lining
arctic-Alu	Arctic- alu foil
GO	Special low surface resist.

150 SE FS TU - arctic-Alu GO
 (Typical part number)

Types of locking for enclosures

 SV = 4 clasps
 SE = 2 hinges, 2 clasps

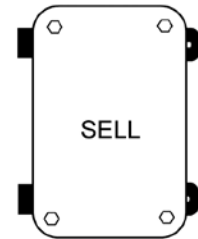
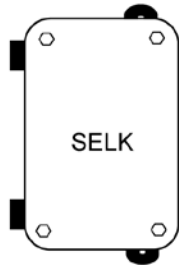
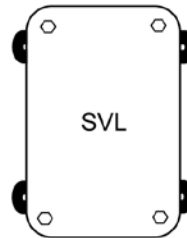
Standard

Special design

Coffrets Multibox

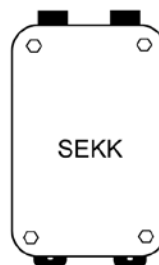
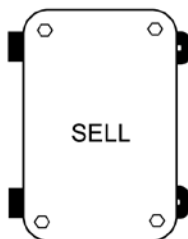
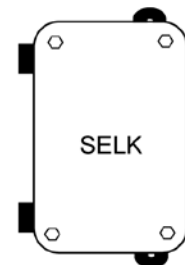
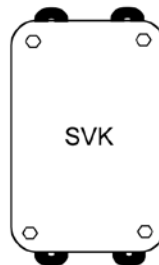
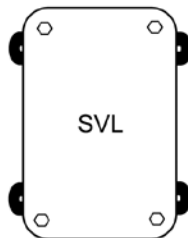
for enclosure type

- 25
- 48
- 60
- 70
- 100

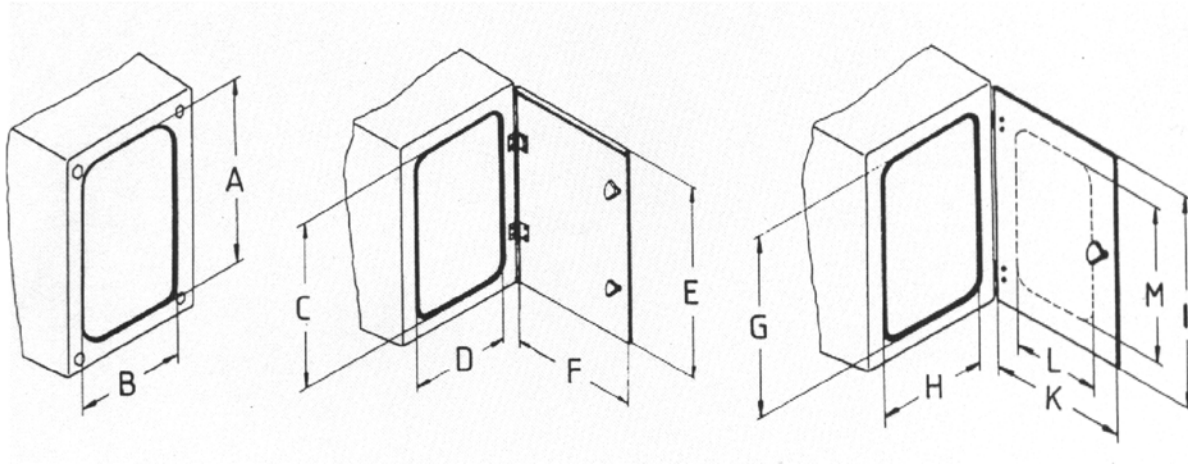


for enclosure type

- 80
- 150
- 170



Windows and Doors of Protection-Boxes



Coffrets Multibox

F Version with window
 FA Window of plexiglas
 FS Window of safety glass-

STA Version with hinged plexiglas door

ST Version with hinged door of GRP
 STF Version with hinged door and window

Please specify desired position of window or door, i.e. in part 1, 2 or part 3 (order e.g.: z.B. FA1 or FA2)

	Type	25	48	60	70	80	100	150	170
	mm								
F	A	360	360	500	500	540	500	540	540
	B	260	260	300	300	310	300	310	310
STA	C	376	376	514	514	574	514	574	574
	D	248	248	316	316	367	316	367	367
	E	420	420	586	586	678	586	678	678
	F	320	320	386	386	451	386	451	451
ST	G			514	514	574	514	574	574
	H			312	312	367	312	367	367
	I			600	600	700	600	700	700
	K			400	400	470	400	470	470
	L			210	210	300	210	300	300
	M			420	420	500	420	500	500
Number of handles		1	1	1	1	2	1	2	2

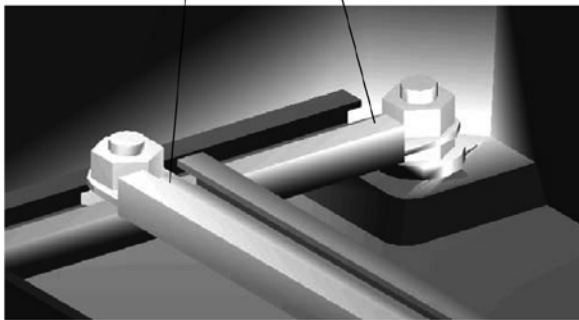
MULTIBOX - Mounting Rails

The INTERTEC C-rail mounting and installation system affords strong and timesaving equipment installation. The unique cross wise array of the four mounting rails (MS) can be steplessly adjusted to accommodate any mounting dimensions. Horizontal rails (Q or QS) are supplied including 2 hammer head bolts M10x15 and nuts.

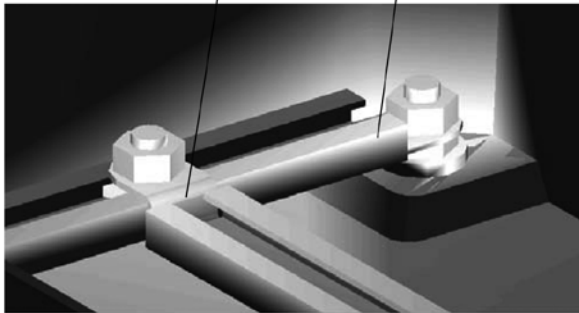
Coffrets Multibox

1 Installation variations

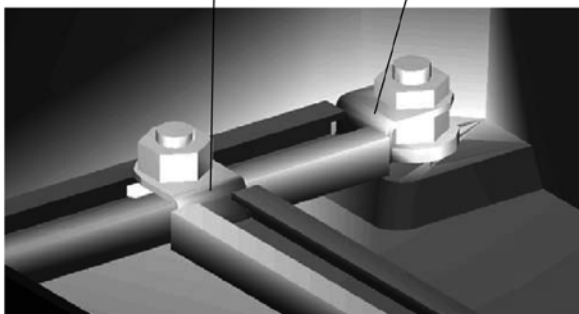
1.1 Form A – flat MS on flat MS



1.2 Form B – swaged MS on flat MS

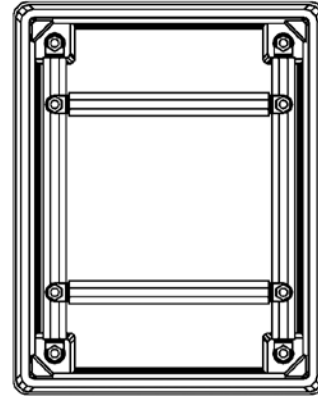


1.3 Form C – swaged MS on swaged MS



2 Arrangement of mounting rails

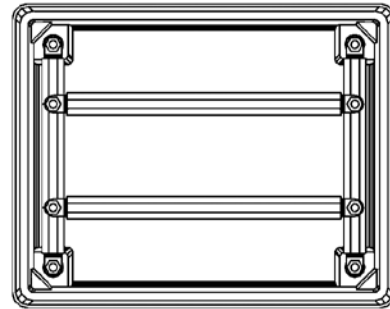
2.1 in vertically mounted enclosure



required mounting rails

for MULTIBOX	Form A	Form B	Form C
25, 48	2x MS50L 2x MS50QS	2x MS50L 2x MS50Q	2x MS50LS 2x MS50Q
60, 70, 100	2x MS100L 2x MS100QS	2x MS100L 2x MS100Q	2x MS100LS 2x MS100Q
80, 150, 170	2x MS150L 2x MS150QS	2x MS150L 2x MS150Q	2x MS150LS 2x MS150Q
non insulated	X	Standard	--
insulated aSS-..	X	Standard	X

2.2 in horizontally mounted enclosure



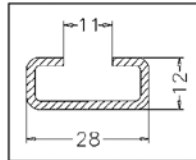
required mounting rails

for MULTIBOX	Form A	Form B	Form C
25, 48	2x MS50QS 2x MS50L	2x MS50QS 2x MS50LS	2x MS50Q 2x MS50LS
60, 70, 100	2x MS100QS 2x MS100L	2x MS100QS 2x MS100LS	2x MS100Q 2x MS100LS
80, 150, 170	2x MS150QS 2x MS150L	2x MS150QS 2x MS150LS	2x MS150Q 2x MS150LS
non insulated	X	Standard	--
insulated aSS-..	X	Standard	X

MULTIBOX - Mounting Rails

3 Mounting rails

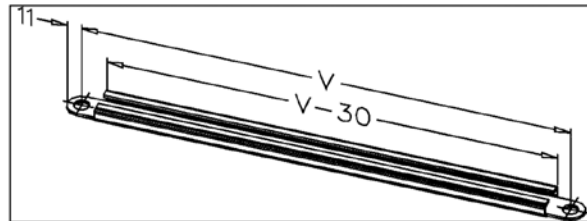
Mounting rails: C-profile with holes $\varnothing 12\text{mm}$ at the ends



for MULTI-BOX	carbon steel, hot dipped galvanized	weight (kg)	stainless steel	weight (kg)	V
25 48	MS 50L	0,31	MS 50LVA	0,21	380
	MS 50LS	0,32	MS 50LSVA	0,23	
	MS 50Q	0,23	MS 50QVA	0,16	280
	MS 50QS	0,23	MS 50QSVA	0,16	
60 70 100	MS 100L	0,45	MS 100LVA	0,31	540
	MS 100LS	0,46	MS 100LSVA	0,31	
	MS 100Q	0,28	MS 100QVA	0,20	340
	MS 100QS	0,28	MS 100QSVA	0,19	
80 150 170	MS 150L	0,52	MS 150LVA	0,38	630
	MS 150LS	0,53	MS 150LSVA	0,37	
	MS 150Q	0,36	MS 150QVA	0,24	400
	MS 150QS	0,33	MS 150QSVA	0,23	

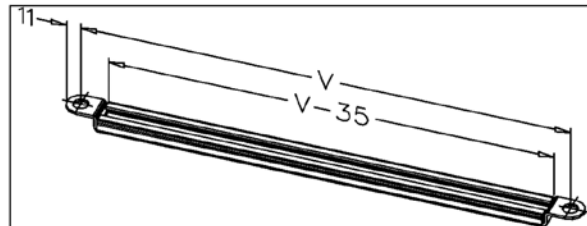
3.1 flat mounting rails

- „MS ...L..“ vertical rail
- „MS ...QS..“ horizontal rail, special design



3.2 swaged mounting rails

- „MS ...LS..“ vertical rail, special design
- „MS ...Q..“ horizontal rail



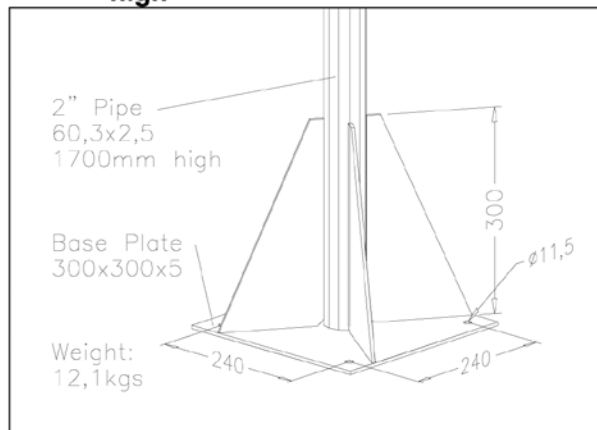
MULTIBOX - Mounting Brackets, Standpipe Instrument Pillar, Wall Mounting and Mounting Plate

It is generally recommended to mount INTERTEC Instrument Enclosures by means of the stainless steel mounting elements (included).

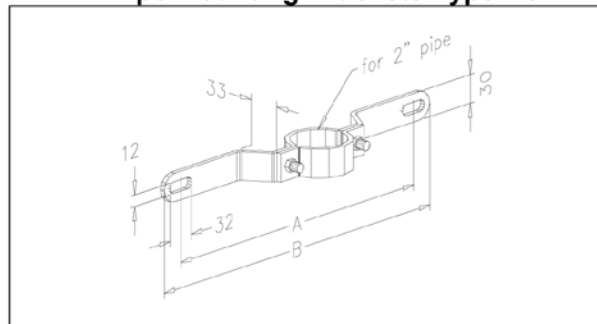
Coffrets Multibox

1 Pipe Stand Mounting

1.1 Pipe Stand Type ST17-2, 1700 mm high



1.2 Pipe Mounting Brackets Type RS..



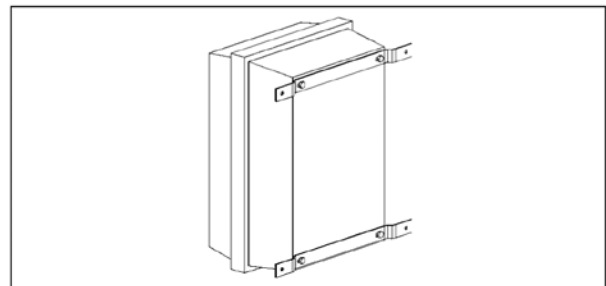
for MULTIBOX Type	Enclosure Orientation	Type of Mounting Bracket	A (mm)	B (mm)	Weight (kgs)
25,48	vertical	RS50	280	330	0,7
60,70,100		RS100	340	390	0,75
80,150,170		RS150	400	450	0,85
25,48	horizontal	RS50Q	380	430	0,8
60,70, 100		RS100Q	540	590	1,05
80,150,170		RS150Q	630	680	1,1

2 hexagonal head bolts M10x16 and 2 washers 10,5 are supplied to fasten mounting brackets type RS...

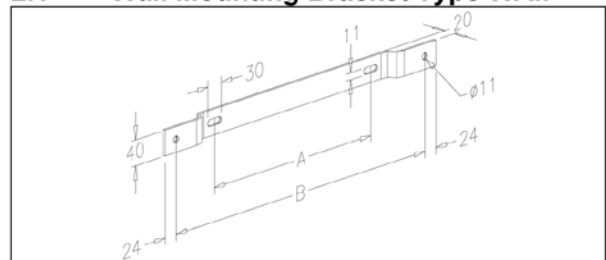


The material mentioned in this data sheet is available in zinc plated steel or in stainless steel Mat.No 1.4301 (at extra cost).

2 Wall Mounting



2.1 Wall Mounting Bracket Type WA..



for MULTIBOX Type	Enclosure Orientation	Type of Wall Mounting Bracket	A (mm)	B (mm)	Weight (kgs)
25,48	vertical	WA50	280	485	0,65
60,70,100		WA100	340	550	0,75
80,150,170		WA150	400	620	0,8
250	horizontal	WA250	460	680	0,8
25,48		WA150	400	620	0,8

2 hexagonal head bolts M10x16 and 2 washers 10,5 are supplied to fasten mounting brackets type WA...

MULTIBOX - Mounting Brackets, Standpipe Instrument Pillar, Wall Mounting and Mounting Plate

Coffrets Multibox

Instrument Pillar RAV 2"

vertical – to support transmitter
 total length of pipe = 200 mm
 outer shroud 120 x 60 x 6
 incl. 4 HK – screws M10 x 20 and nuts
 Material: zinc plated steel or stainless steel (at extra cost)
 Weight: ca. 0,9 kgs

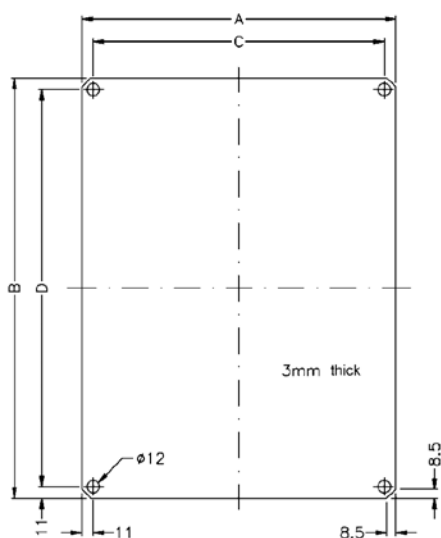


Instrument Pillar RAH 2"

horizontal – to support transmitter
 total length of pipe = 160 mm
 outer shroud 126 x 60 x 6
 incl. 4 HK – screws M10 x 20 and nuts
 Material: zinc plated steel or stainless steel (at extra cost)
 Weight: ca. 0,8 kgs



Mounting Plate MP ..



		Mounting Plate Type			
		MP 50	MP 100	MP 150	MP250
		for MULTIBOX Type			
		25, 48	60, 70, 100	80, 150, 170	250
Abm (mm)	A	302	362	422	482
	B	362	562	652	682
	C	280	340	400	460
	D	380	540	630	660
Weight (kgs)		2,8	4,6	6,6	7,8
Material		Zinc plated steel or stainless steel (at extra cost)			